



**Zastava**  
a r m s



**SPORTING RIFLE M808**  
**HANDLING AND MAINTENANCE**  
**INSTRUCTION MANUAL**

**M808**



**WARNING:**  
**PLEASE READ**  
**BEFORE USE**

*Dear Customer,*

*The name ZASTAVA ORUŽJE represents quality, reliability and gunsmith tradition since 1853. Your weapon was made in accordance with very strict requirements, of the highest quality materials used for this type of products and tested by our quality control.*

*To be able to handle this gun safely, you are obliged to read carefully and completely the Instruction manual. In case of any misunderstanding, please apply to your dealer or manufacturer for detailed explanations within shortest time.*

*If your gun needs servicing, apply to one of the service shops authorized by your dealer.*

*Thank you for purchasing our sporting rifle, we hope that you will be satisfied with it.*

## Chapter 1

### SAFETY MEASURES

We want you to enjoy safe shooting with the rifle you purchased. You may be an experienced shooter, already familiar with the procedures in this Instruction manual, but we urge you to read this entire Instruction manual carefully. You must follow the safety instructions for your safety and the safety of others.

**WARNING:** ALWAYS CARRY YOUR RIFLE EMPTY IN ORDER TO AVOID RISK OF ACCIDENTAL DISCHARGE.

**1.** ALWAYS HANDLE YOUR RIFLE AS IF IT WERE LOADED so that you never fire it accidentally when you think it is unloaded.

**2.** NEVER POINT YOUR RIFLE AT ANYTHING YOU DO NOT INTEND TO SHOOT so that if it fires accidentally, injury, death or damage to property will be prevented.

**3.** NEVER TAKE ANYONE'S WORD THAT A RIFLE IS UNLOADED, check it for yourself with fingers off the trigger and gun pointed in a safe direction.

**4.** ALWAYS KEEP AND CARRY YOUR RIFLE EMPTY, WITH THE FIRING PIN UNTENSIONED EXCEPT WHEN YOU INTEND TO SHOOT, SO THAT THE GUN CANNOT BE FIRED WHEN YOU DO NOT MEAN IT.

**5.** NEVER DRINK ALCOHOLIC BEVERAGES OR TAKE DRUGS BEFORE OR DURING SHOOTING, as your vision and judgment could be seriously impaired making your gun handling unsafe.

**6.** ALWAYS SEEK DOCTOR'S ADVICE IF YOU ARE TAKING ANY MEDICATION, to be sure you are fit to shoot and handle your gun safely.

**7.** ALWAYS USE ONLY CLEAN, DRY, ORIGINAL HIGH QUALITY COMMERCIALY MANUFACTURED AMMUNITION IN GOOD CONDITION, WHICH IS APPROPRIATE TO THE CALIBER OF YOUR RIFLE.

**8.** ALWAYS BE SURE THAT BARREL INTERIOR IS CLEAN AND THAT THE BORE AND THE MUZZLE ARE CLEAR OF OBSTRUCTIONS. Clean a fouled rifle immediately, so that it will function correctly and safely.

**9.** ALWAYS WEAR AND ENCOURAGE OTHERS TO WEAR EAR PROTECTION WHEN SHOOTING, especially on a range. Without ear protection the noise from your rifle and other guns close to you, could leave ringing in the ears for some time after firing, while the cumulative long term effect could be permanent hearing loss.

**10.** ALWAYS WEAR AND ENCOURAGE OTHERS TO WEAR PROTECTIVE-SHOOTING GLASSES, especially on a shooting range.

**11.** OBEY THE COMMANDS OF THE PERSON IN CHARGE OF THE RANGE, SO THAT DISCIPLINE IS MAINTAINED TO REDUCE THE LIKELIHOOD OF ACCIDENTS.

**12.** ALWAYS BE SURE YOUR BACKSTOP IS ADEQUATE TO STOP AND CONTAIN BULLETS BEFORE BEGINNING TARGET PRACTICE, SO THAT YOU DO NOT HIT ANYTHING OUTSIDE THE RANGE SHOOTING AREA.

**13.** ALWAYS BE ABSOLUTELY SURE OF YOUR TARGET AND THE AREA BEHIND IT BEFORE YOU SQUEEZE THE TRIGGER. A bullet could travel through or past your target. It has enough energy to cause unwanted consequences at large distances. If in doubt, do not shoot.

**14.** NEVER SHOOT AT A HARD SURFACE OR AT WATER. A bullet may ricochet and travel in any direction to strike you, or an object you cannot see, causing injury, death or damage to property.

**15.** NEVER FIRE YOUR RIFLE NEAR AN ANIMAL UNLESS IT IS TRAINED TO ACCEPT THE NOISE; an animal's startled reaction could injure it or cause an accident.

**16.** NEVER USE YOUR RIFLE IF IT FAILS TO FUNCTION PROPERLY, AND NEVER FORCE A JAMMED ACTION, AS A ROUND MAY EXPLODE CAUSING SEVERE DAMAGE TO YOUR RIFLE, SERIOUS INJURY OR POSSIBLE DEATH.

**17.** ALWAYS HOLD THE RIFLE BY THE STOCK, IN DEFINED (CARVED) ZONES, SINCE YOU COULD BE HURT BY HOT METAL OR MOVING PARTS.

**18.** NEVER SQUEEZE THE TRIGGER OR PUT YOUR FINGER IN THE TRIGGER GUARD UNTIL YOU ARE AIMING AT A TARGET AND READY TO SHOOT.

**19.** IN CASE OF MISFIRE:

Holding the rifle pointed toward the target. Wait 30 seconds. If a hang fire (slow ignition) has occurred, round will fire within 30 seconds. If

round does not fire, eject round, and examine primer. If firing pin indent on primer is light, off centre, or non-existent, have the rifle examined by a competent gunsmith. If firing pin indent on primer appears normal (in comparison with similar previously fired rounds) assume faulty ammunition. Segregate misfired round from other live ammunition and empty cases, reload and carry on firing.

**20.** NEVER LEAVE YOUR RIFLE READY TO FIRE, SINCE THIS POSITION IS EXTREMELY DANGEROUS BECAUSE OF RISK OF ACCIDENTAL DISCHARGE CAUSING SERIOUS INJURY, DEATH OR DAMAGE TO PROPERTY.

**21.** KEEP THE RIFLE POINTING TOWARDS THE BACKSTOP WHEN LOADING, FIRING AND UNLOADING, TO ELIMINATE THE RISK OF INJURY, DEATH OR DAMAGE TO PROPERTY.

**22.** NEVER LEAVE A LOADED RIFLE UNATTENDED. There is always a chance that someone will use it and cause injury, death or damage to property.

**23.** NEVER INDULGE IN "HORSEPLAY" WHILE HOLDING YOUR RIFLE AS IT MAY BE ACCIDENTALLY DISCHARGED.

**24.** ALWAYS INSTRUCT CHILDREN TO RESPECT FIREARMS. Keep your rifle out of reach of children. The training of all, including children (age determined by law), should be performed by authorized people in institutions equipped and authorized for that kind of activity.

**25.** WHEN YOUR RIFLE IS READY TO FIRE, OTHER PEOPLE MUST NOT BE IN FRONT OR NEAR YOU. Always hold your rifle so that you can control the direction of the muzzle.

**26.** ALWAYS MAKE SURE YOUR RIFLE IS NOT LOADED BEFORE CLEANING, STORING OR TRAVELLING, MAGAZINE REMOVED FROM THE PISTOL, BEFORE YOU STORE IT OR TRANSFER IT TO SOMEBODY ELSE, SO THAT IT CANNOT FIRE ACCIDENTALLY.

**27.** ALWAYS KEEP AND STORE YOUR RIFLE AND AMMUNITION IN SEPARATE LOCKED RECEPTACLES, OUT OF REACH AND SIGHT OF CHILDREN AND UNTRAINED PEOPLE.

## **DISCLAIMER OF LIABILITY**

The manufacturer shall not be responsible for injury, death, or damage to property resulting from either intentional or accidental discharge of this firearm, or from its function when used for purposes or subjected to treatment for which it was not designed. The manufacturer also will not honour claims involving this firearm which result from careless or improper handling, unauthorized adjustment or parts replacement, corrosion, neglect, or the use of wrong calibre ammunition, or the use of ammunition other than original high quality commercially manufactured ammunition in good condition, or any combination thereof.

## **IMPORTANT**

Before it left the factory, this firearm was tested, carefully inspected and packaged. The manufacturer cannot control product handling after it leaves the factory, therefore, please examine this firearm carefully at the time of purchase to insure that it is unloaded and undamaged.

This Instruction manual should always accompany this firearm and be transferred with it upon change of ownership.

## Chapter 2

### 2. BASIC CHARACTERISTICS OF THE WEAPON

#### 2.1. – PURPOSE

The weapon is intended for hunting big game and animals.

#### 2.2. – TECHNICAL CHARACTERISTICS

Calibre	.308 Win, .243 Win, .22-250 Rem, 6mm Rem, 7x64, .30-06 Spring, .270 Win, 8x57 IS, 7x57, .25-06 Rem, 6.5x57, 9.3x62, 6.5x55 SE, .300 WinMag, .264 WinMag, 7mm RemMag
Barrel length	650 mm
Rifle length	1194 mm
Weight of the rifle with empty magazine	up to 4.2 kg
Magazine capacity	5 rounds for standard calibres 3 rounds for magnum calibres
Operation	bolt-action
Locking	rotating bolt
Safety	three positions
Type of sights	optical
Swivel type	quickly removable
Trigger mechanism	double action trigger (DAT)

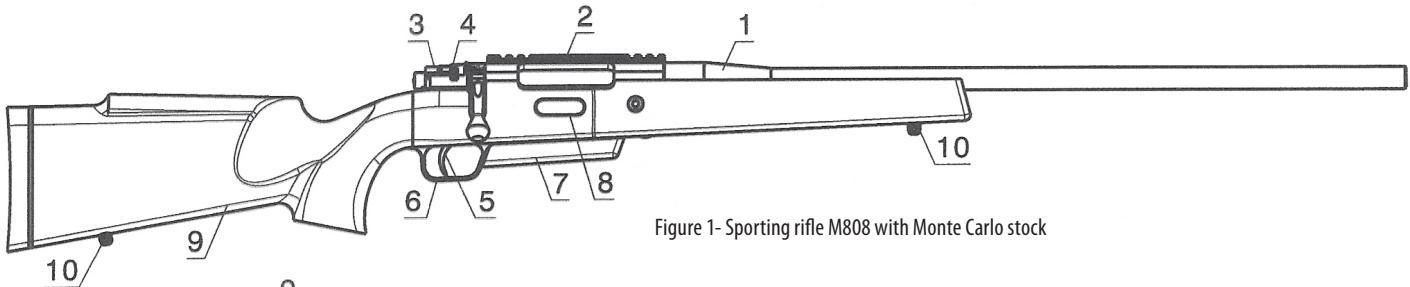


Figure 1- Sporting rifle M808 with Monte Carlo stock

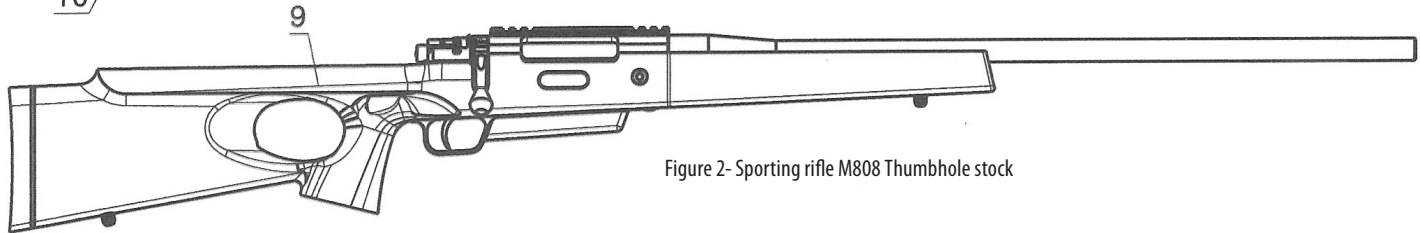


Figure 2- Sporting rifle M808 Thumbhole stock

## Chapter 3

### 3.1. – DESCRIPTION AND FUNCTIONING OF THE WEAPON

Basic parts of sporting rifle M808 are shown in figure 1.

- (1) barrel;
- (2) receiver, with Picatinny rail for optical sight, according to STD-MIL-1913;
- (3) bolt;

- (4) safety;
- (5) trigger;
- (6) trigger guard;
- (7) magazine;
- (8) magazine catch button;
- (9) Monte Carlo stock
- (10) swivels.

Unlike sporting rifle in figure 1, the sporting rifle M808 in figure 2 has Thumbhole stock, item (9).

## Safety

The sporting rifle is safely blocked by the safety (4) placed on the right side, behind the holder (R) on the bolt (3), figure 3.

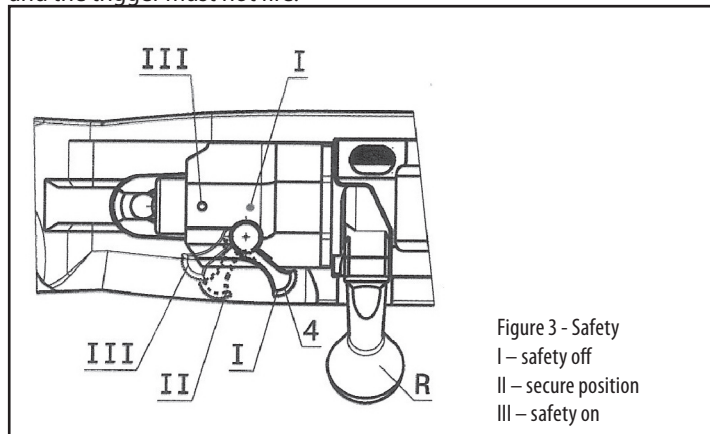
The position of the safety is indicated by red and green (or white) dot on the bolt.

The safety has three positions: SAFETY ON, SECURE and SAFETY OFF.

The SAFETY is put OFF when the safety is pulled fully rearward, towards the red indicator, until a "click" is heard. When the safety is off, the bolt can be unlocked and the trigger can fire.

The safety is in SECURE position when the safety is pulled to the middle, between the indicators for safety ON/OFF. The bolt can be unlocked and the trigger must not fire.

The SAFETY is put ON when the safety is pulled fully rearward, towards the green indicator, until a "click" is heard. The bolt must not unlock and the trigger must not fire.



## Trigger

The gun can be fired with large or small trigger pull.

The gun is fired with large trigger pull when the trigger is pulled rearwards.

To fire the gun with small trigger pull, the trigger should be pushed to front end position (safety is in position off), and the gun is fired by pulling the trigger rearwards.

The amount of force at large trigger pull is 16-20 N, and at small trigger pull it is 4-7 N.

## Stock

Stocks are made of quality walnut.

There is a rubber recoil pad at the rear end of the stock.

Two types of stock are made for sporting rifle M808: Monte Carlo and Thumbhole.

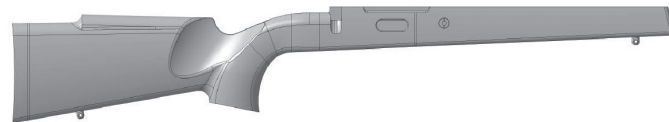


Figure 4 – Monte Carlo stock

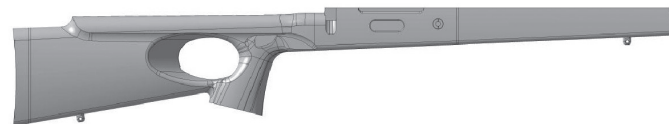


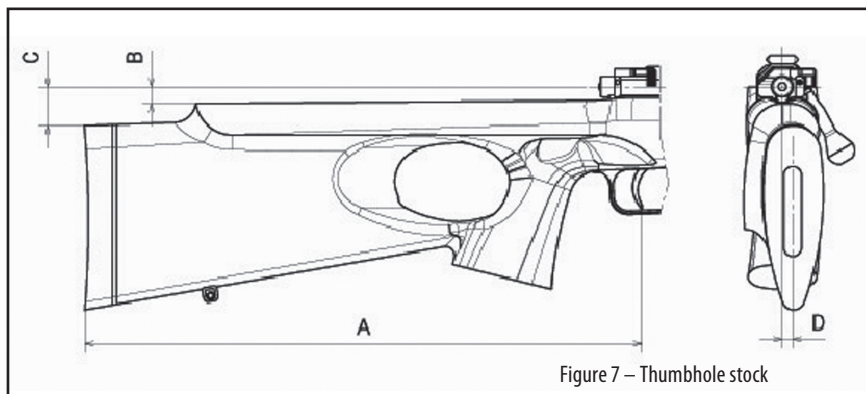
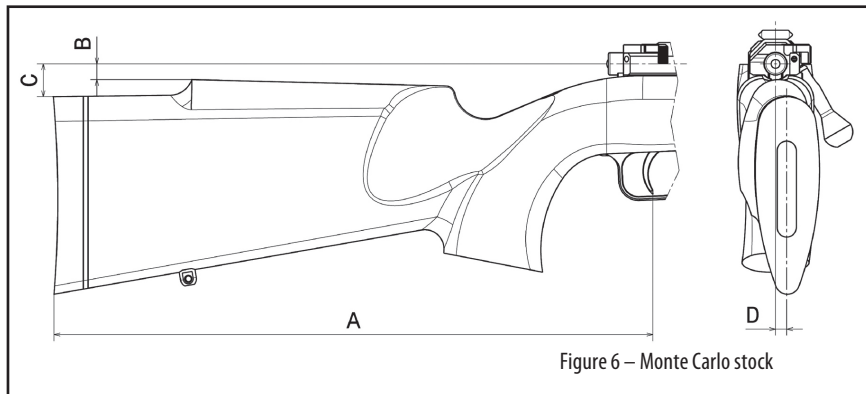
Figure 5 – Thumbhole stock



The most important dimensions of these two stocks are given in table 1.

The dimensions of the stocks provide comfort and easiness during aiming and they are fit to the proportions of an average shooter.

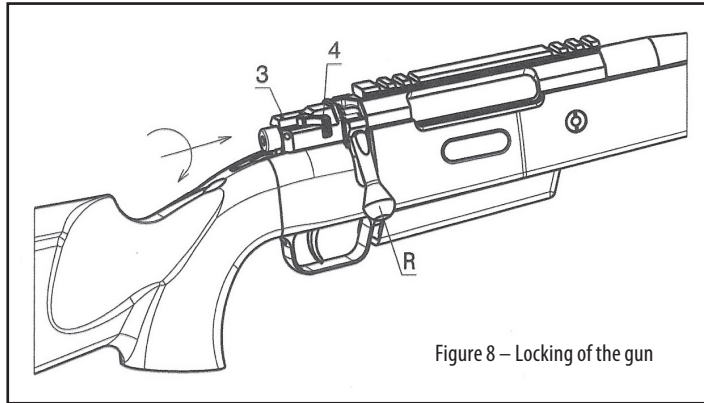
Type of stock	Dimensions (mm)			
	A	B	C	D
Monte Carlo	375	10	20	7
Thumb-hole	374	11	26	7



## 3.2.-HANDLING

### 3.2.1. Assembly

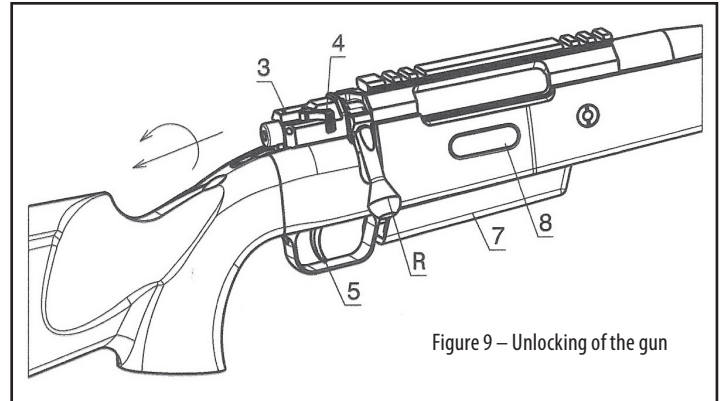
1. Take the stock handgrip with the left hand.  
At the same time, pull the trigger fully rearwards with a left hand finger.
2. Take the bolt by the handle with the right hand. The bolt is in the set of the gun, outside the sporting rifle.
3. The safety is off.
4. Push the bolt in the action to the front end; turn the bolt handle downwards by 90°, to lock the bolt, figure 8.  
Release the trigger.



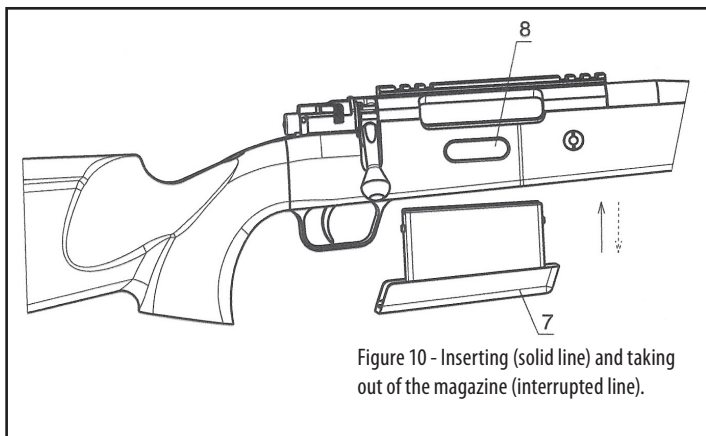
### 3.2.2. Loading the gun

1. Load the sporting rifle that has been assembled according to the Instruction manual.
2. Turn the bolt handle upwards by 90° and pull the bolt fully rearwards to unlock it, figure 9.

3. Press the magazine catch button, hold the magazine bottom and pull the magazine out of the sporting rifle.
4. Load the magazine. Hold the magazine with one hand and load cartridges, one by one, with the other.
5. Hold the loaded magazine by its bottom and push it from below to insert it into the sporting rifle, figure 10.



6. Push the bolt into the front position - a cartridge from the magazine will enter the barrel; then turn the handle fully downwards.
7. Put the safety on.
8. Your rifle is now ready to fire, with a cartridge in the barrel and with full magazine.



### 3.2.3. Firing

1. Select the target that you intend to shoot.
2. Load the sporting rifle according to the Instruction manual.
3. Hold the finger outside the trigger guard; turn the safety to the front, in position "off".
4. Aim, put your finger to the trigger and slowly pull it back until the gun fires.
5. Turn the bolt upwards by 90° and pull it fully rearwards to eject the empty cartridge case from the chamber.
6. When the bolt is pushed to the front position and turned downwards by 90°, the next cartridge from the magazine will enter the barrel.
7. As long as you do not intend to shoot, the safety should be ON.

### 3.2.4. Unloading

1. Read safety measures.
2. Hold the sporting rifle turned to a safe direction and your fingers outside the trigger guard when you unload the sporting rifle.
3. Press the magazine catch, pull the magazine, holding it for the bottom, and take it out of the sporting rifle.
4. Place the safety to secure position, figure 3.
5. Turn the bolt handle upwards by 90°, pull the bolt rearwards and this will remove the cartridge case (cartridge) from the barrel.
6. When the bolt is in rear position, inspect the barrel visually and make sure it is empty.
7. Unload the magazine.

Hold the magazine with one hand, and push the cartridges out of the magazine with the thumb, one by one. (When a cartridge is removed, another is lifted to its place, under the effect of the spring.)

### 3.2.5. Stripping

A gun is stripped for inspection, cleaning and lubrication before and after it has been used.

If possible, the gun is stripped in a closed room, on a clean and dry mat. Gun owners should not independently strip the sporting rifle in a manner not described in this Instruction manual. Gun owners should not strip the sporting rifle in a larger scope than the one described in this Instruction manual.

For any repair or parts replacement, the owner should address authorized repair shops, which have qualified staff, necessary tools for this work and original spare parts.

1. The sporting rifle is unloaded according to the Instruction manual.
2. While the bolt is in rear position, push the ejector box (1) downwards with the left hand, figure 11.
3. Pull the bolt rearwards and take it out from the receiver.
4. Let the ejector box return to the original position under the effect of its own spring.
5. Put the safety in "off" position.

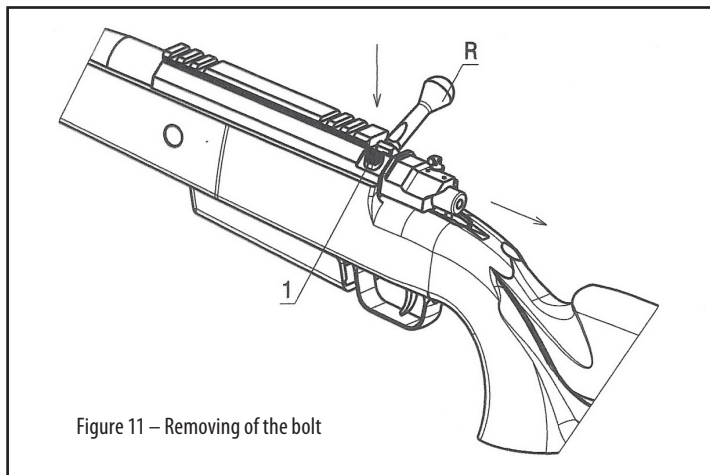


Figure 11 – Removing of the bolt

## Chapter 4

### 4. MAINTENANCE

A rifle should be maintained and cleaned so that it would last long and function well. Foul and corroded barrel (barrel with soot from powder gas on it) and damaged parts of rifle mechanisms, apart from causing improper function and shortening the service life of a gun, can cause effects that can impose danger on the life of the shooter and the environment.

Sporting rifle should be cleaned and lubricated (especially the barrel), before going shooting, immediately after returning from shooting, as well after carrying, even though the gun was not fired, as it was exposed to atmospheric conditions (dust, moist, dew, rain, snow...). Repeat cleaning after two to three days.

If this is not done, there is a risk of creation of increased amounts of soot on the barrel walls and damage (inflation) of the barrel. If possible, the gun should be maintained in a closed room, on a clean and dry mat.

#### Instructions for cleaning

NEVER strip and clean a loaded gun.

#### Barrel

1. Unload the gun according to Instruction manual.
2. Strip the gun according to the procedure described in the Instruction manual.
3. Take the cleaning rod and brush from the accessories, used for the calibre of the sporting rifle that is to be cleaned.
4. Soak the cleaning brush in gun cleaning solution.
5. Push the cleaning with the brush through the barrel interior several

times, from the bolt towards the muzzle.

6. Fasten a dry, clean linen cloth to the middle of the cleaning rope. Pull it through the barrel interior several times. Repeat the procedure with another dry, clean linen cloth, until the cloth is completely clean.

7. Fasten a cloth to the cleaning rope (rod).

8. Dip a clean cloth into gun oil and let it soak.

9. Pull the cleaning rope (rod) with oiled cloth through the barrel several times.

10. Take the oiled cloth from the rope and replace it with a dry clean cloth.

11. Pull the cleaning rope with a dry cloth through the barrel interior, to remove extra oil from the barrel.

12. When you finish cleaning of the barrel interior, check the grooves in the barrel for any remains of cloths or any other obstacles.

13. Using a clean cloth put a thin layer of oil on the barrel exterior.

Cleaner (brushes with spiral grooves) should never be used for cleaning of barrels of new sporting rifles, because smooth surfaces of the barrel can be damaged. Cleaner can be occasionally used to remove lead deposits from the walls of fowl barrels. This should be done carefully and the brush should be lubricated.

### Bolt and receiver

1. Take a cloth soaked in cleanser and clean remnants the bolt and surface of the receiver.

2. After cleaning, put only necessary thin layer of oil on cleaned surfaces. Cleanser for metal parts of the gun must not come into contact with wooden, plastic, rubber, cloth or leather parts.

## Chapter 5

### 5. THE SET

#### 5.1. Contents of the set

Apart from the sporting rifle, the set includes:

1. Instruction manual, warranty sheet, stamping certificate;
2. Spare magazine.

#### 5.2. Component parts of the assembly

ITEM	DESCRIPTION	PART CODE (archive number)
1	RECEIVER	126020
2	BARREL (various calibers)	order through calibre
3	BOLT – insep. assy.	126017 – standard 126541 – magnum
4	EJECTOR	126024
5	EJECTOR SPRING	126026
6	EXTRACTOR	126021 – standard 126523 – magnum
7	EXTRACTOR SPRING	127112
8	ELASTIC PIN $\Phi$ 2x10, JUS M.C2.230	106325
9	FIRING PIN	126028
10	FIRING PIN SPRING	2275

11	HAMMER	126029
12	BOLT SLEEVE	126030
13	BOLT SLEEVE PLUG	1801
14	BOLT SLEEVE PLUG SPRING	1802
15	SAFETY	126031
16	SAFETY PLUG	126033
17	SPRING	126158
18	SAFETY SECURING PIN	126032
19	EJECTOR BOX	126035
20	EJECTOR BOX SPRING	126036
21	HOUSING	126050
22	SEAR	126051
23	PIN	1816
24	SEAR SPRING	126052
25	TRIGGER - subassembly	126056
26	TRIGGER SPRING	126053
27	PUSHER CARRIER	126054
28	SECURING RING	1826
29	SMALL FORCE REGULATOR	126055
30	NUT	1810
31	SUPPORTING SCREW	1818
32	FRONT CATCH CARRIER	126039
33	FRONT MAGAZINE CATCH	126041
34	MAGAZINE CATCH SPRING	126042
35	PLUG SECURING PIN	108865
36	REAR CATCH CARRIER	126038
37	REAR MAGAZINE CATCH	126040

38	CATCH SCREW M4x18	126400
39	CATCH LEVER	126398
40	CATCH PIN	126063
41	CATCH BUTTON	126399
42	STOCK	126391/126062
43	RECOIL PAD – insep. assy.	125907
44	RECOIL PAD SCREW	4612
45	REAR SWIVEL HOLDER	7493
46	FRONT SWIVEL HOLDER	7492
47	FRONT SWIVEL NUT	1871
48	SUPPORTING LEVER	5356
49	NUT	5357
50	TRIGGER GUARD M808	126037
51	REAR SCREW TUBE	2281
52	WASHER PLATE	4962
53	REAR SCREW	117481
54	TRIGGER GUARD SCREW	126696
55	TUBE, SHORTER	126043
56	MAGAZINE BODY	126045
57	FOLLOWER	126046
58	FOLLOWER SPRING	126047
59	SPRING CARRIER	126297
60	MAGAZINE BOTTOM	126048

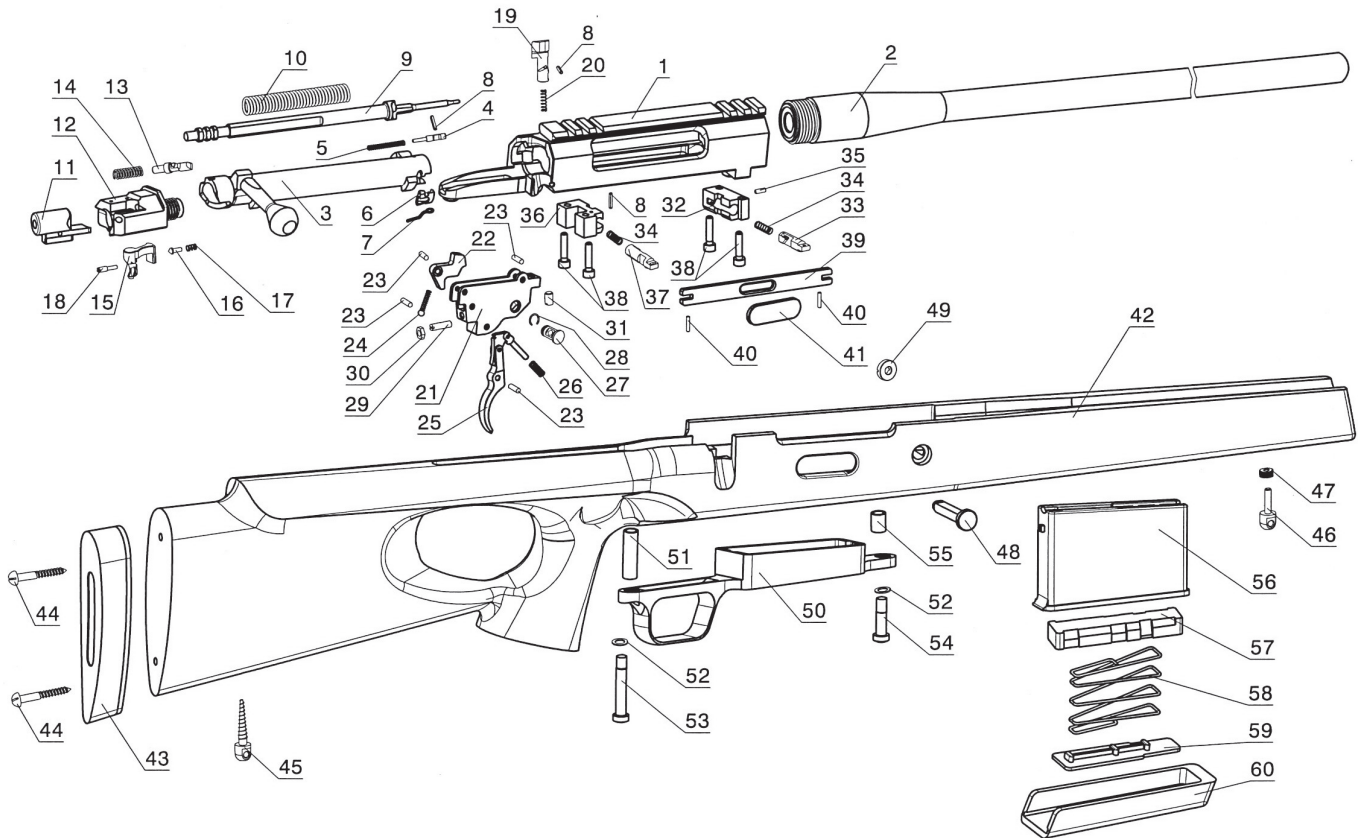


Figure 12 – Sporting rifle M808 – component parts



**Zastava**  
a r m s

Zastava oružje AD  
Kosovska 4, 34 000 Kragujevac  
Serbia,  
phone: +381 34 301 137, fax: +381 34 335 349  
[www.zastava-arms.rs](http://www.zastava-arms.rs)  
e-mail: [office@zastava-arms.rs](mailto:office@zastava-arms.rs)